



## IP-20FHD60 FHD IP PTZ Video Camera



Angekis IP-20FHD60 is a professional grade FHD IP PTZ video camera, support IP, HDMI, 3G-SDI and USB3.0 simultaneously output, ideal for broadcast level AV solution, high end video conferencing and video surveillance application.

### Feature:

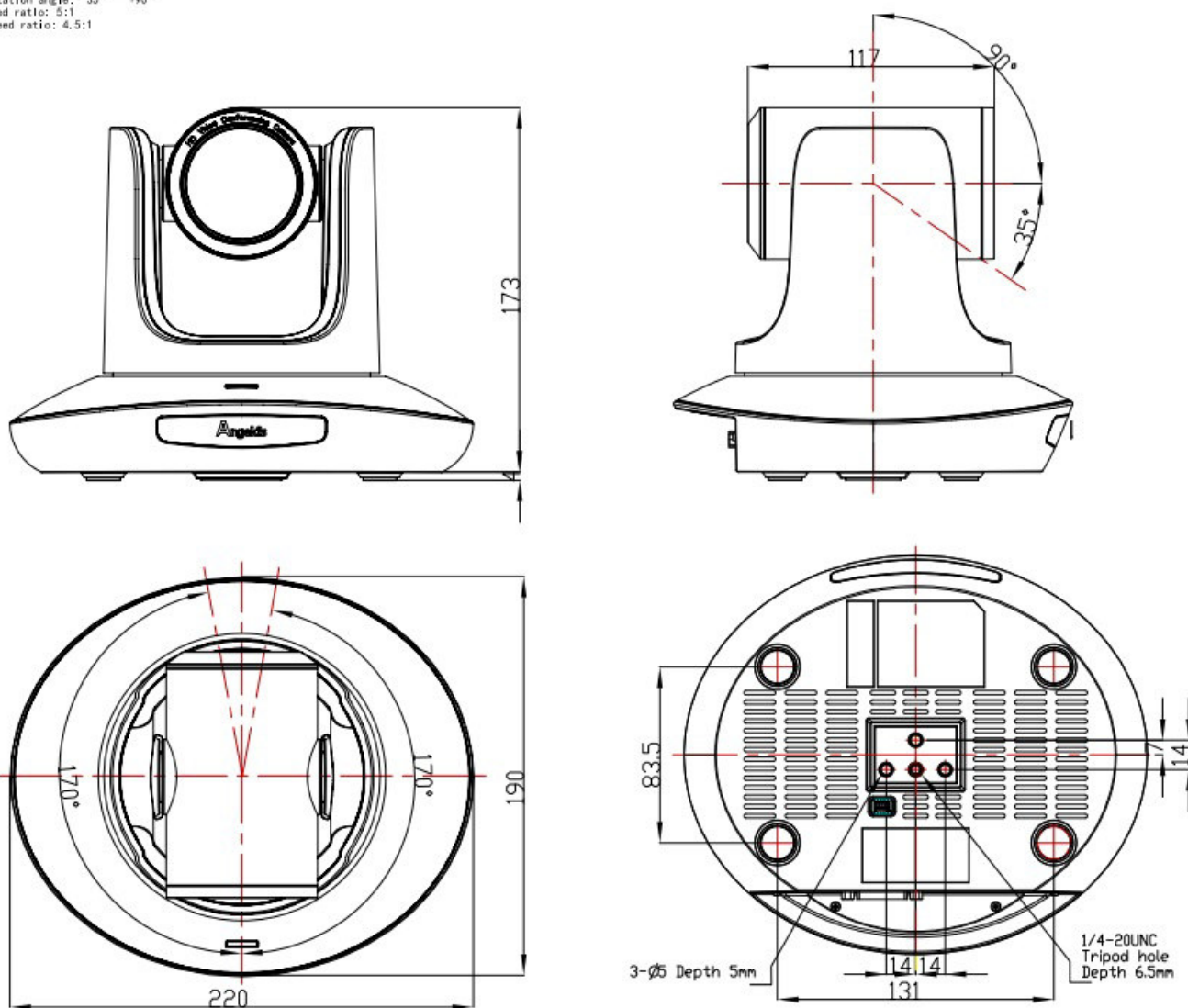
- Adopts most advanced DSP, 1/2.8 inch 5MP sensor;
- 20x Optical Zoom + 2x Digital Zoom, with 60 degree field of view;
- 1080P60 video over IP, and support H.264, H.265 encoding;
- Support POE: easy to use one RJ45 cable to get video, control and power supply;
- IP, HDMI, SDI, USB outputs, fit for different application;
- Smooth PTZ mechanical design, accurate pan tilt motor control;
- Special Focusing Algorithm: fast and precise focusing performance when zooming or moving;
- WDR, 3D Noise Reduction feature;
- Standard IP Visca, Serial Visca, Pelco-P/D control protocol; IP Visca over TCP/UDP.
- Supplied with functional IR remote controller, can set IP address via OSD menu;
- Automatic access to the IP address;
- 128 presets;
- Image flip function, support upside-down installation;
- Support daisy chain feature;

## Output Interface



## Dimensional Drawing ( mm )

Technical Spec:  
 Pan rotation angle: -170° — 170°  
 Tilt rotation angle: -35° — 90°  
 Pan speed ratio: 5:1  
 Tilt speed ratio: 4.5:1



## Technical Spec

Sensor	1/2.8 inch, 5mega pixel high quality CMOS sensor			
Video Format	HDMI	IP	SDI	USB3.0
	1080p60/50/30/25, 720p60/50/30/25, 1080i60/50	Main stream: 1920x1080p60, Sub stream: 1280x720,704x576 640x480,352x288	1080p60/50/30/2 5; 720p60/50/30/25 1080i60/50	1080p60/50/30/25
				720p60/50/30/25
				USB3.0&USB2.0
1024x576p30, 960x540p30 640x360p30, 352x288p30				
Zoom	20x optical zoom & 2x digital zoom			
FOV	60°(diagonal)			
F.no.	Wide: F1.5(Wide)~3.0 (Tele)			
Focal Length	f= 5.2(near)~98mm(far)			
Preset	10 via remote controller; 128 via serial port; preset precision:0.1°			
Rotation Angle	Pan: -170° ~ +170°; Tilt: -35° ~ +90°			
Rotation Speed	Pan: 0°~120°/s ; Tilt: 0°~80°/s			
Control Port	RS232 / RS485/RJ45			
Video Port	HDMI/ RJ45/SDI/USB3.0/USB2.0			
Network Speed	1000M			
Noise Reduction	2D&3D			
SNR	>50dB			
Minimum Lux	0.01 lux			
White Balance	Auto / Manual/Auto Tracking/OnePush/Indoor/Outdoor/			
Anti Flicker	50Hz/60Hz/OFF			
D/N Mode	Supported			
Gamma	Supported			
Mirror Image	Supported			
PanTilt Flip	Supported			
Iris	Auto / Manual/			
Electric Shutter	Auto / Manual/			
BLC	Auto / Manual/			
Focus	Auto / Manual/			
Video Encoding	H.264/H.265			
Bit Rate Control	Variable Bit Rate, Constant Bit Rate			
Video Bit Rate	1024Kbps~30720Kbps			
Frames	50HZ:1fps~50fps 60HZ:1fps~60fps			
IP Protocol	TCP/IP, HTTP, RTSP, Onvif, DHCP			
POE	Supported			
Input Voltage	DC12V, 2A			
Dimension	220mm×173mm×190mm			
Net Weight	1.25KGS (2.8LBS)			